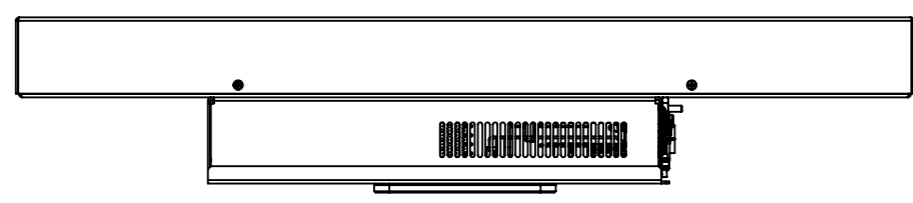
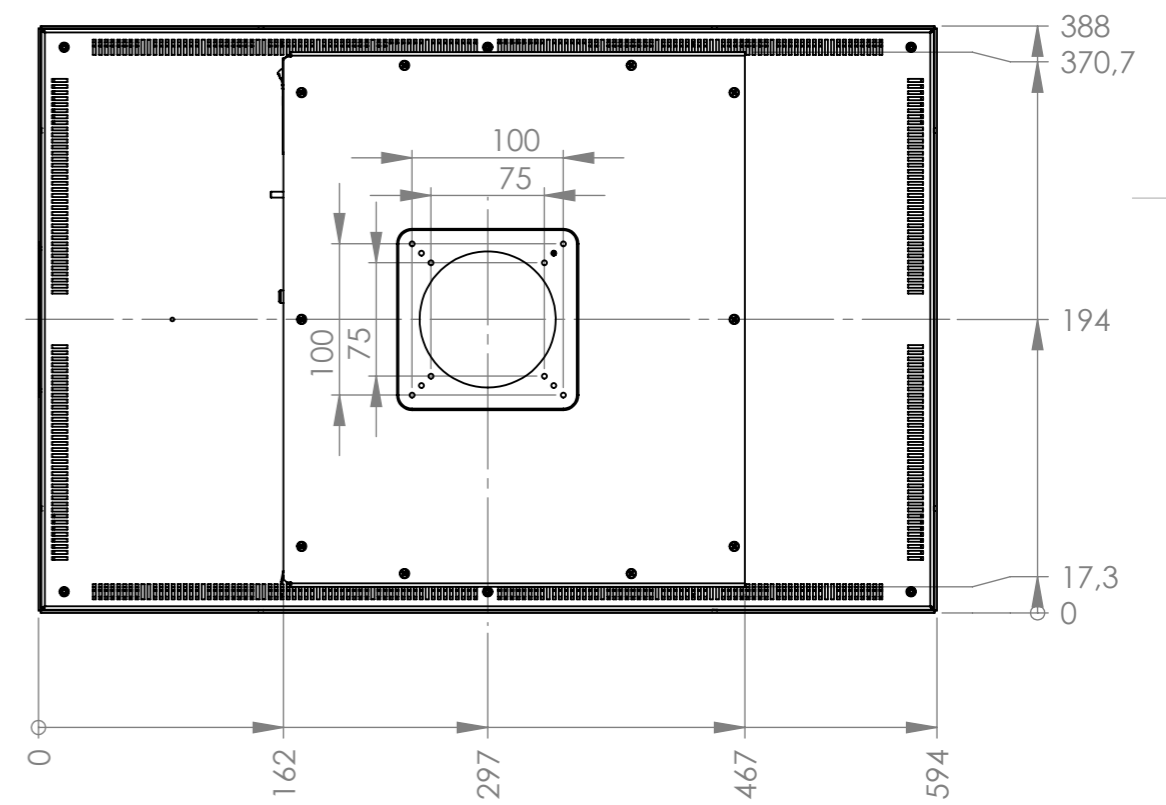
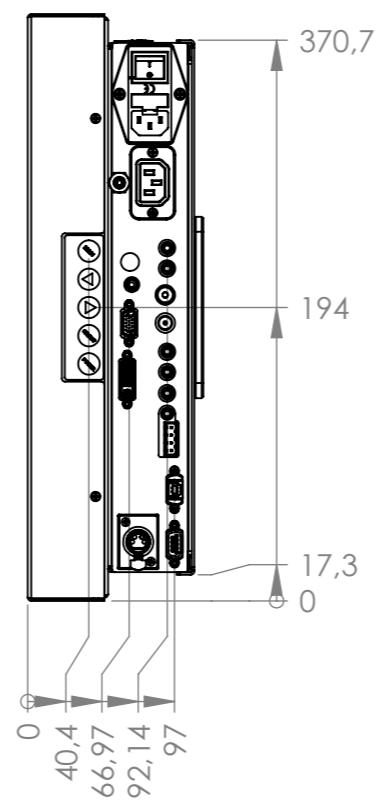
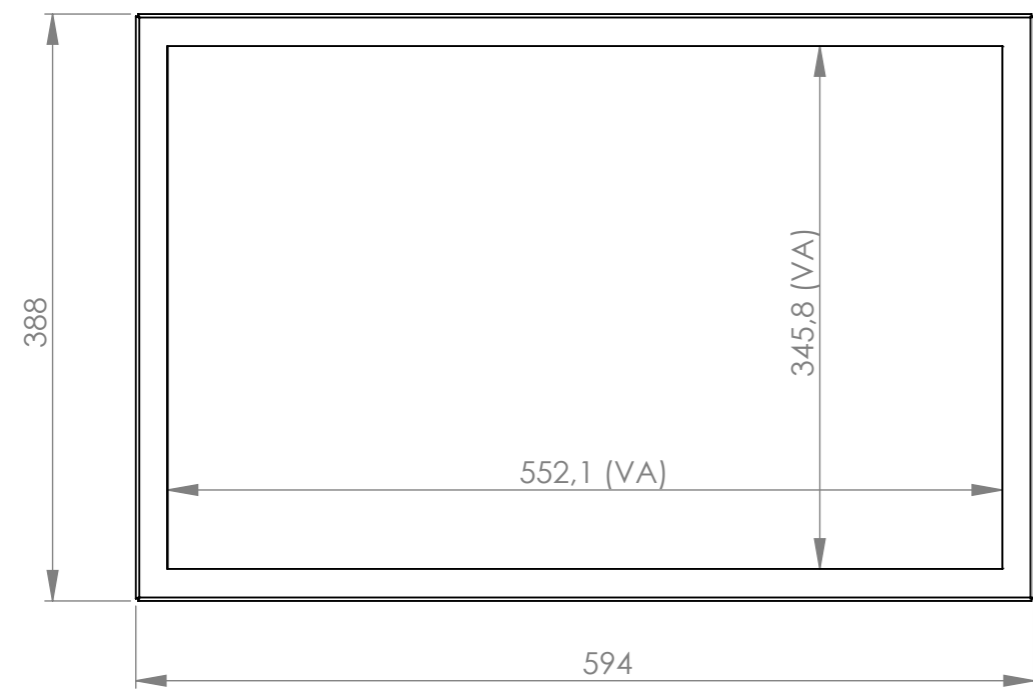
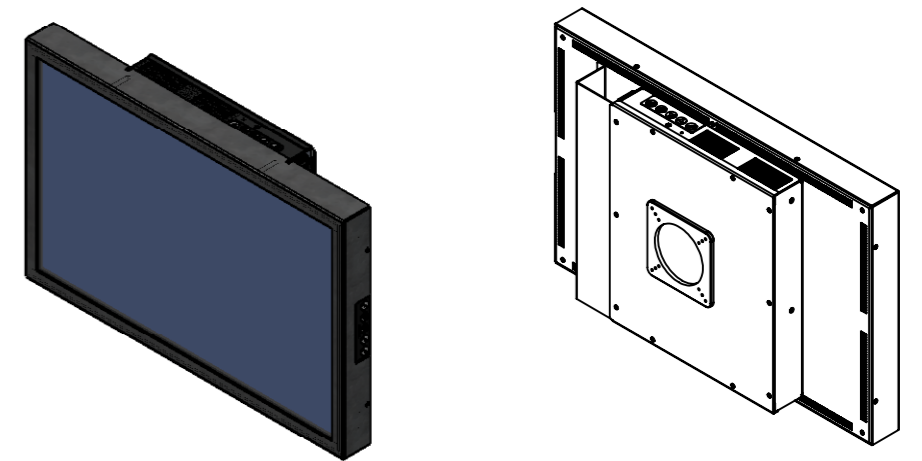
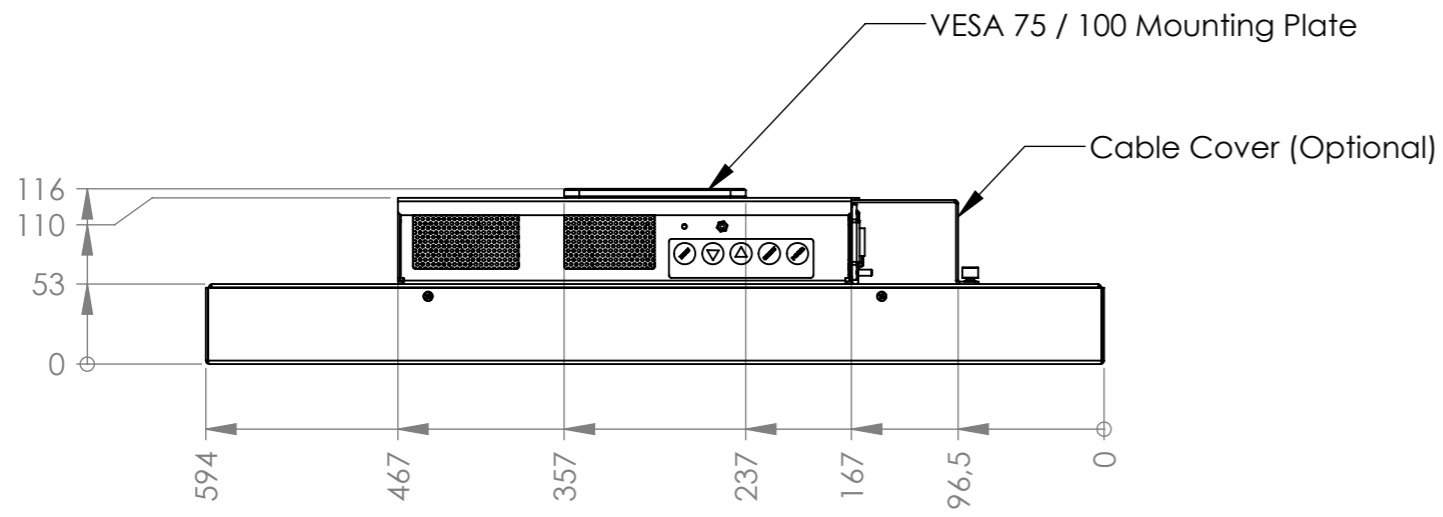

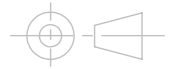


**CONFIDENTIALITY NOTICE:**  
 This document contains confidential and/or proprietary information. Any unauthorized copying, disclosure or distribution of the material in this document is strictly forbidden without the advance written permission of Canvys, a division of Richardson Electronics Ltd.



REV.	DATE	REVISION DESCRIPTION	REV. BY:
UNLESS OTHERWISE SPECIFIED: DIMENSIONS ARE IN mm TOLERANCES		 visual technology solutions	THIRD ANGLE PROJECTION 
DECIMALS ANGULAR FRACTIONAL .XX ±.01 ± 1/2 DEG. ± 1/64 .XXX ± .005			
DO NOT SCALE THIS DRAWING		TITLE:	
SURFACE ROUGHNESS EXCEPT AS NOTED		CP-26xx	
DRAWN:	DATE:	DRAWING NO.	REVISION LEVEL
Istvan Vojtko	13.05.2009	60477_CP-26-xx	X-01
APPD:	DATE:		
	15.10.2009		
CUSTOMER / JOB NO.	/	SHEET	1 of 1
			A3